

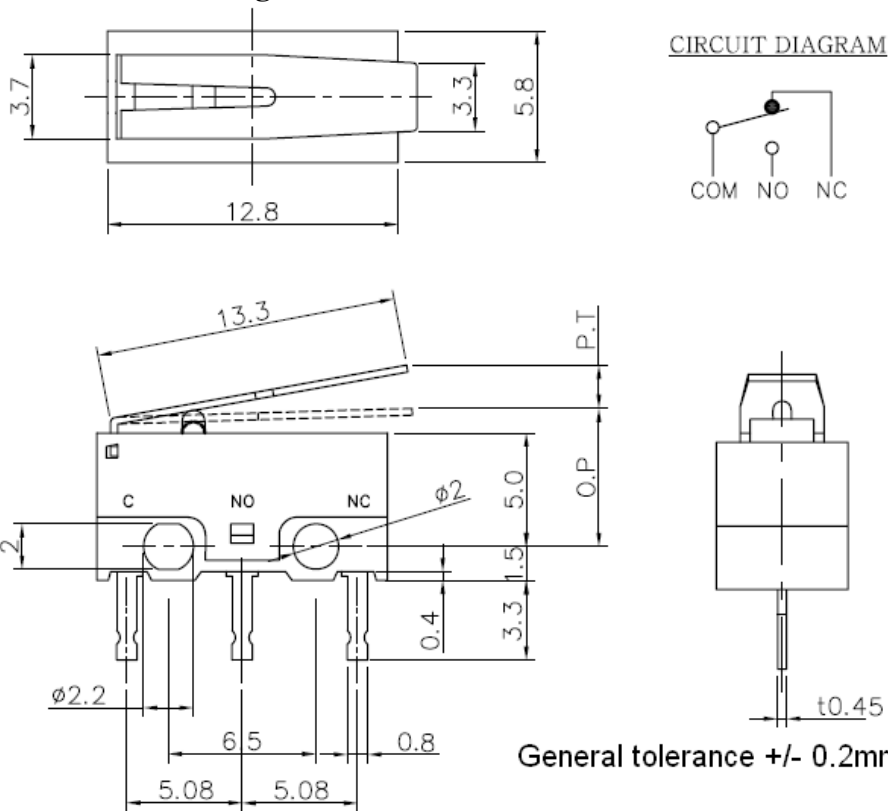


MICRO SWITCH: MS-1281 **RoHS Compliant** Rev.02 12/12/2013

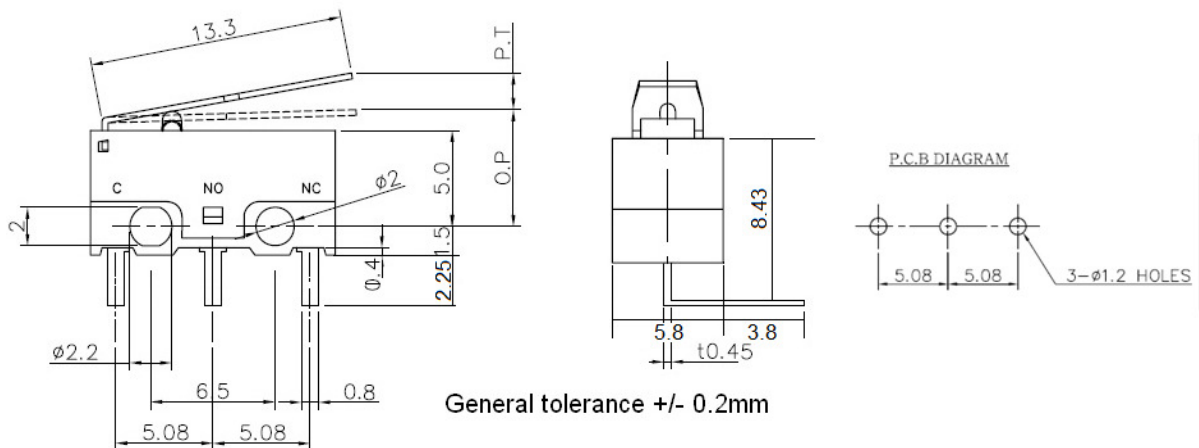
Part code: MS-1281-PL Description: Straight PCB terminal

Part code: MS-1281-DL Description: Right angle D terminal

MS-1281-PL: Straight terminal



MS-1281-DL: D terminal





PRAN ELECTRONICS PVT. LTD.

52, GIDC, Makarpura, Vadodara - 390 010. India.
Phone : +91 - 265 - 263 2916, 263 5920 Fax : + 91 - 265 - 263 5918
E-mail : info@pranelectronics.com Web : www.pranelectronics.com

AN ISO 9001:2000 COMPANY

MICRO SWITCH: MS-1281 **RoHS Compliant** Rev.02 12/12/2013

Part code: MS-1281-PL Description: Straight PCB terminal

Part code: MS-1281-DL Description: Right angle D terminal

Electrical specifications:

Contact Rating	125V AC x 1A, 5V DC x 30mA
Contact Arrangement	SPDT
Operating Life Electrical	10,000 cycles
Dielectric Strength	500V AC for 1 min.
Insulation Resistance	100 M Ohms min.
Contact Resistance	100 milli Ohms max.
Max. Operating frequency	200 operations/min.
Ambient Temperature	-40 Deg. C to 85 Deg. C
Ambient Humidity	Less than 85% RH

Operating characteristics:

Operating Force O.F (max)	40gf \pm 20gf
Return Force R.F (min)	5gf
Pre Travel P.T (max)	1.8mm \pm 0.3mm
Over Travel O.T (min)	0.6mm
Operating position O.P	8.80 \pm 0.8mm
Free position F.P	10.40 \pm 0.8mm

Material Specifications:

Case	PBT G30
Plunger	POM
Cover	PC
Terminals	Brass Silver Plated
Contacts plate	Phosphor Bronze with Silver rivets

*Revision notes:

00 23/11/2011	1A x 125V AC switch
01 09/02/2012	Operating force, OP and FP correction
02 12/12/2013	Right angle D terminal